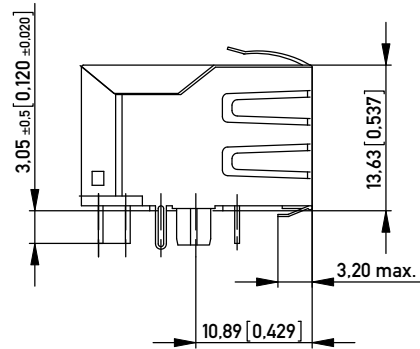
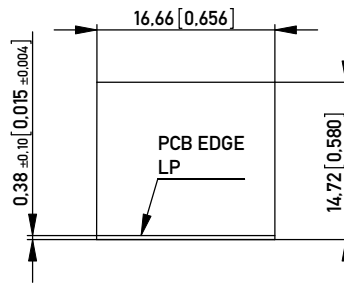
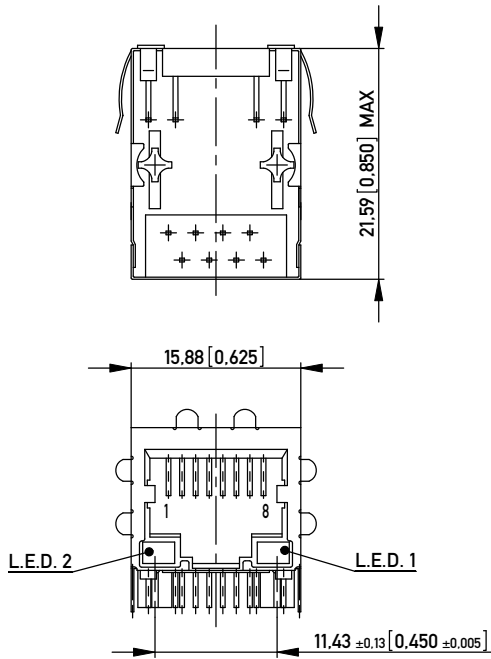
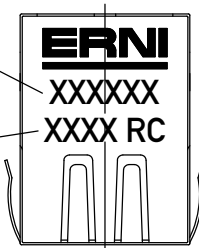


RECOMMENDED PANEL CUTOUT
EMPFOHLENER FRONTPLATTEN AUSSCHNITT



PART NO.
IDENT-NR.

DATE CODE
DATUMSCODE



- NOTE 1: MODULAR JACK WITH 10/100 BASE-TX MAGNETICS
NOTE 2: COMPATIBLE TO LEAD-FREE WAVE SOLDERING PROCESS
NOTE 3: SIDE SHIELD TABS IN REAR 3.05mm (R)
NOTE 4: PANEL GROUND FLANGES BOTH SIDES, TOP AND BOTTOM (GF5)
NOTE 5: RoHS COMPLIANT; PRINT "RC" WITH DATE CODE

MATERIALS AND FINISH

HOUSING: GLASS FILLED POLYESTER UL 94 V-0 BLACK
SHIELDING: Cu ALLOY, PLATED WITH Ni
CONTACTS: PHOSPHOR BRONZE
CONTACT FINISH: Au, 0.8 µm (30 µin) OVER Ni
TERMINAL FINISH: Sn MATTE
LED LENS: EPOXY

MECHANICAL CHARACTERISTICS

DURABILITY: 1000 MATING CYCLES

ELECTRICAL CHARACTERISTICS

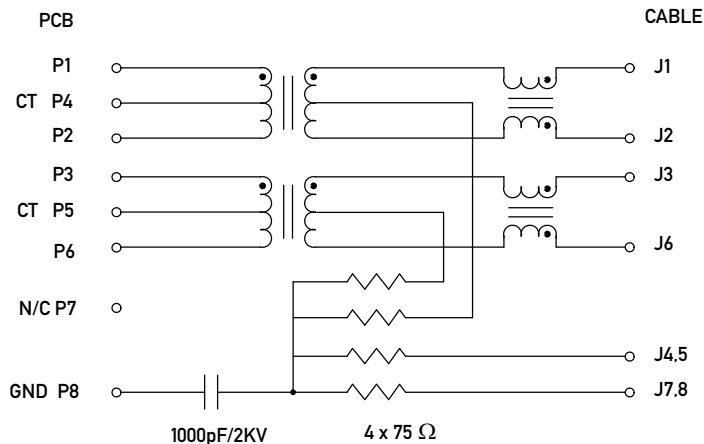
CONTACT RESISTANCE: 30 MILLIOHMS MAX
OPERATING TEMPERATURE: -40°C TO +85°C

PART NO. IDENT. NR.	LED 2 LEFT LED 2 LINKS	LED 1 RIGHT LED 1 RECHTS	LED CODE
203416	GREEN	YELLOW	L2
203520	YELLOW	GREEN	L1

Information: SCHEMATIC NUMBER: H3D01	Tolerances ±0.2 if not specified	 All Dimensions in mm [in]	Scale 2:1
	Designation MOD JACK - MJIM 8C8T, 1x1, INT. Mag., LED ALIGNED		
All rights reserved. Only for Information. To ensure that this is the latest version of this drawing, please contact one of the ERNI companies before using.		Subject to modification without prior notice. Drawing will not be updated.	
 www.ERNI.com		203415	
b	18.08.2010	1 (1/2)	
Index	Date	A3	
Class		MJIM	

Copyright by ERNI GmbH
Proprietary notice pursuant to ISO 16016 to be observed.

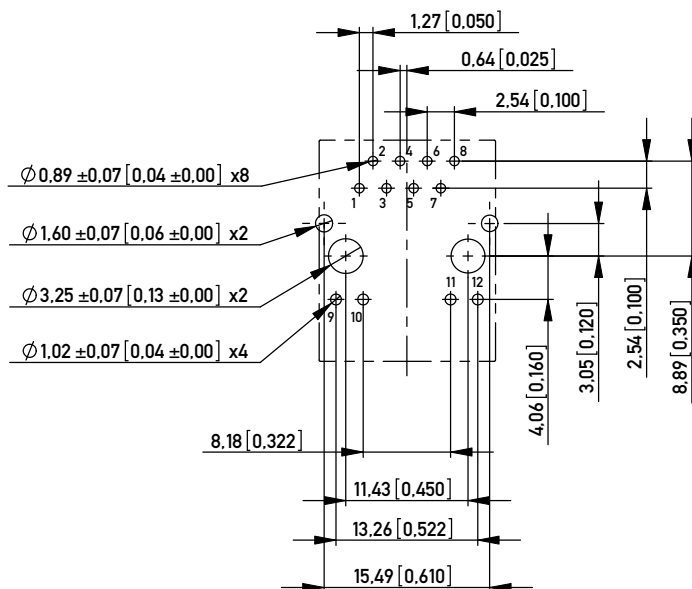
ELECTRICAL SCHEMATIC H3D01
ELEKTRISCHER SCHALTPLAN



RECOMMENDED PCB LAYOUT (COMPONENT SIDE VIEW)
EMPFOHLENES LEITERPLATTEN-LAYOUT (BESTÜCKUNGSSEITE)

TOL ±0.05 [0.002] UNLESS NOTED

SCALE: 2.5 : 1



LED SPECIFICATIONS

LED ANWEISUNG

MAGNETICS SPECIFICATIONS @ 25°C

AUTO MDIX COMPATIBLE

TURNS RATIO:

(P1-P2 : J1-J2) 1CT : 1±3%

(P3-P6 : J3-J6) 1CT : 1±3%

OCL(100 KHz, 0.1 Vrms, 8 mA)

(P1-P2 : P3-P6) 350µH MIN

DCR (P1-P2, P3-P6) 1.1 OHMS MAX

INSERTION LOSS:

0.1-100 MHz -1.1 dB MAX

RETURN LOSS:

0.5 - 30 MHz: -18 dB MIN

40 MHz: -15.5 dB MIN

50 MHz -13.6 dB MIN

60 - 80 MHz -12 dB MIN

CROSSTALK:

1-100 MHz -40 dB TYP

CMR:

0.1 - 30 MHz -50 dB TYP

30 - 60 MHz -40 dB TYP

60 - 100 MHz -35 dB TYP

ISOLATION

1500 Vrms

COLOR FARBE	V _f TYP	V _f MAX	I _f mA	CIRCUIT DIAGRAM SCHALTPLAN
YELLOW	2.1	2.5	20	
GREEN	2.2	2.5	20	
RED	2.25	2.5	20	
ORANGE/GREEN	2.05/2.2	2.5	20	

Information: SCHEMATIC NUMBER: H3D01	Tolerances ±0.2 if not specified	 All Dimensions in mm [in]	Scale 2:1
	Designation MOD JACK - MJIM 8C8T, 1x1, INT. MAG., LED ALIGNED		
All rights reserved. Only for Information. To ensure that this is the latest version of this drawing, please contact one of the ERNI companies before using.		Subject to modification without prior notice. Drawing will not be updated.	
		www.ERNI.com	
b		18.08.2010	
Index		Date	
Class		MJIM	
203415		1 (2/2) A3	

Copyright by ERNI GmbH
Proprietary notice pursuant to ISO 16116 to be observed.